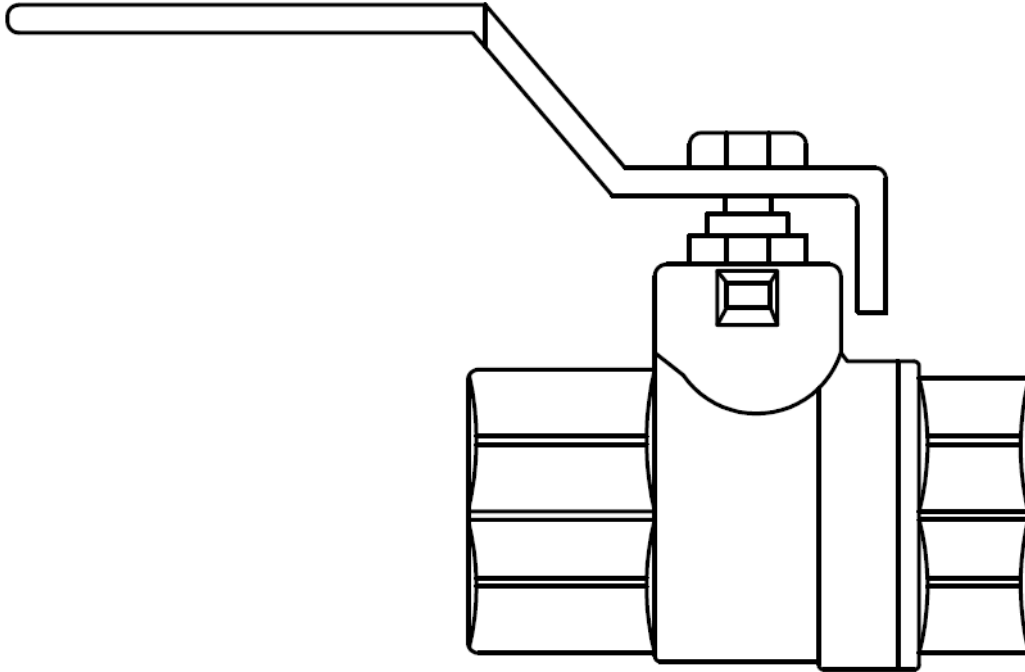


USA 9101 Series Forged Brass Ball Valve (1/2" - 2")

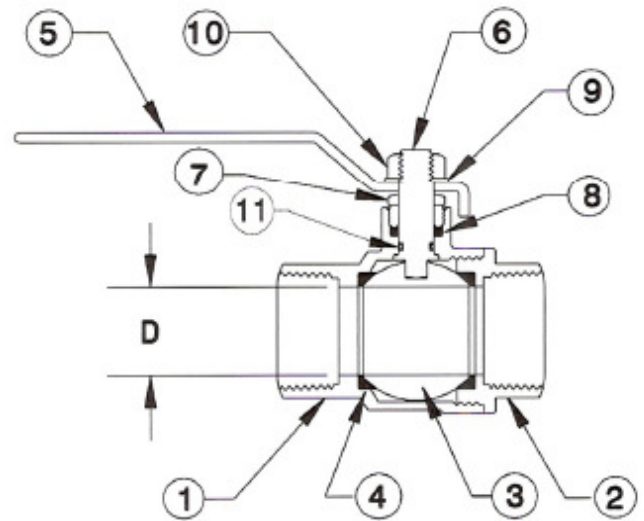
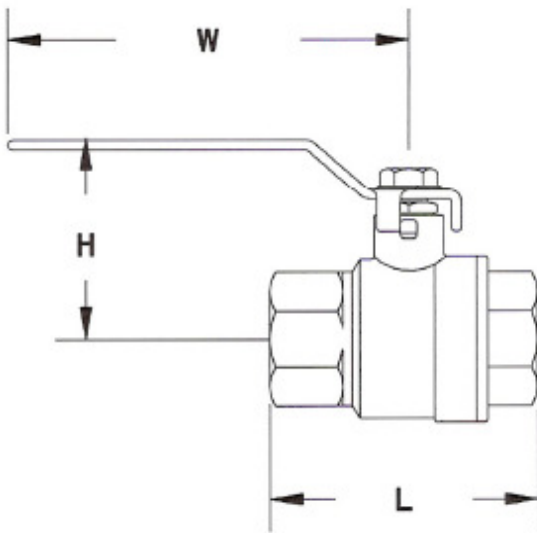


USA 9101 Series Forged Brass Ball Valve

Body:	Brass
End Cap:	Brass
Ball:	Brass, Chrome Plated
Seat:	PTFE
Handle:	Zinc Plated Steel, Plasticoated
Stem:	Brass
Gland Nut:	Brass
Stem Packing:	PTFE
Lock Washer:	Zinc Plated Steel
Nut:	Zinc Plated Steel
O-Ring:	Buna-N

WARNING: To insure proper installation this product must be installed in conformance with applicable building codes. Use of proper torque wrench is required.

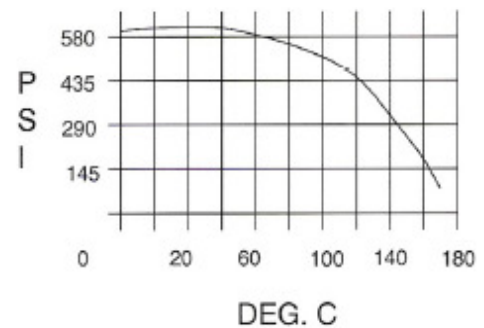
USA 9101 Series Forged Brass Ball Valve



DIMENSIONS

CAT. NO.	SIZE	L	D	H	W
USA0259101	1/4	1.70	.39	1.71	3.65
USA0389101	3/8	1.70	.39	1.71	3.65
USA0509101	1/2	2.25	.59	1.80	3.65
USA0759101	3/4	2.52	.75	2.05	4.65
USA1009101	1	3.00	1.00	2.14	4.65
USA1259101	1 1/4	3.44	1.25	2.84	5.62
USA1509101	1 1/2	3.85	1.57	2.87	5.62
USA2009101	2	4.30	1.97	3.23	5.62

PRESS. VS. TEMP. CURVE



MATERIALS

NO.	PART NAME	MATERIALS USA SERIES	* MATERIALS SST
11	O-RING	BUNA-N	
10	NUT	ZINC PLATED STEEL	STANLESS STEEL
9	LOCK WASHER	ZINC PLATED STEEL	STANLESS STEEL
8	STEM PACKING	PTFE	
7	GLAND NUT	BRASS	
6	STEM	BRASS	TYPE 304 SST
5	HANDLE	ZINC PLTD STEEL, PLASTICOATED	STANLESS STEEL
4	SEAT	PTFE	
3	BALL	BRASS, CHROME PLTD.	TYPE 304 SST
2	END CAP	BRASS	
1	BODY	BRASS	

WARNING: To insure proper installation this product must be installed in conformance with applicable building codes. Use of proper torque wrench is required.